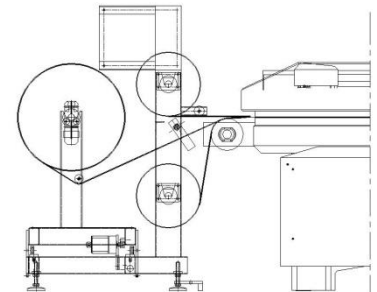
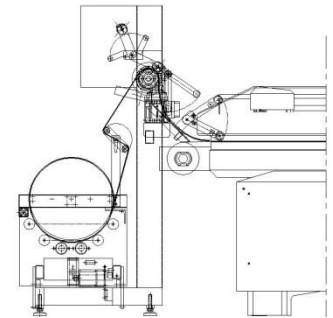




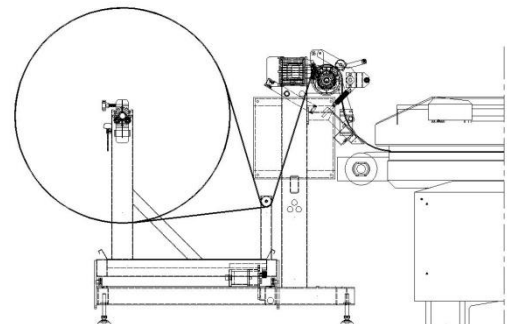
**Budget feeder** with unwinding shaft and edge control. Includes paper and foil supply.



**Cradle feeder** for fabrics, with transport roller, dancer, edge control, and reverse system.

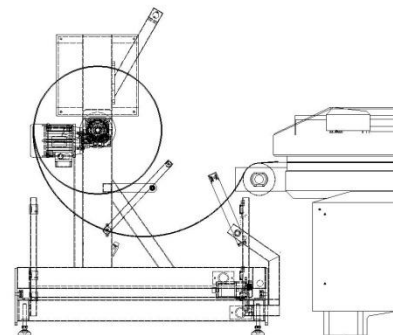


**Feeder for rolls** of fabric on unwinding shaft, with transport roller, edge control, and dancer.

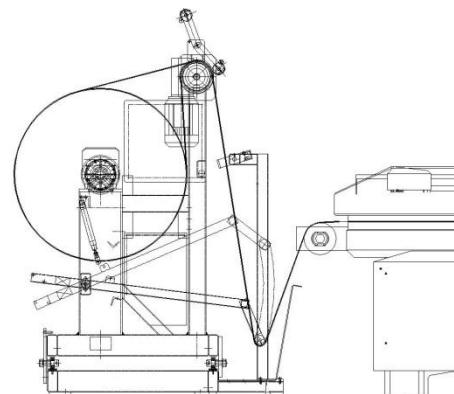




**Feeder with driven unwinding shaft**, with loop control for tension free supply of delicate fabrics.



**Heavy duty feeder** for rolls up to 2000 kg, with pneumatic dancer for material tension control.



**Conveyor for cutter extension**. Available in any width and length.

